

HMSW Series Precision Manual Waveguide Switches 18 to 110 GHz

HXI's HMSW series of precision manual waveguide 4-port switches are available from WR-42 through WR-10 waveguide sizes (18 to 110 GHz). 3-channel rotors and eight 45 degree positions allow connection or isolation between any 2 ports. These switches provide superior insertion loss/isolation over the full frequency band and exhibit smooth and precise indexing between switch positions, making them desirable for test instrumentation applications.

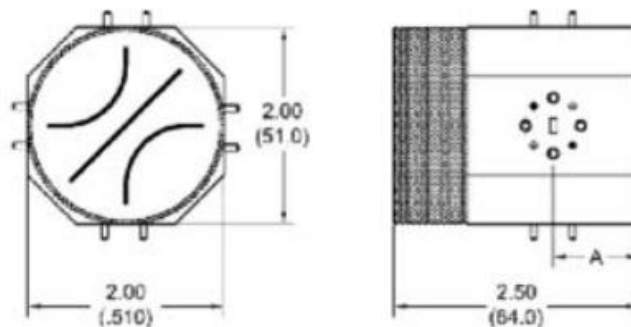


Specifications

Frequency band	K ¹	Ka	Q	U	V	E	W
Frequency Range (GHz)	18-26.5	26.5-40	33-50	40-60	50-75	60-90	75-110
Waveguide Size	WR-42	WR-28	WR-22	WR-19	WR-15	WR-12	WR-10
Insertion Loss (dB, max)	0.4	0.4	0.5	0.5	0.6	0.7	0.8
Isolation (dB, min)	60						
VSWR (typ)	1.15:1						
Dimension "A" (inches/mm)	0.74/18.7	0.73/18.5	0.72/18.3	0.71/18.0	0.7/17.8	0.69/17.5	0.68/17.2

¹ The K-Band switch has a 2-channel bidirectional rotor and four 90 degree switch positions

Mechanical Specifications



Ordering Information

HMSW _____ (Example: HMSW15)
 _____ WR Designator (28, 15, 10, etc)