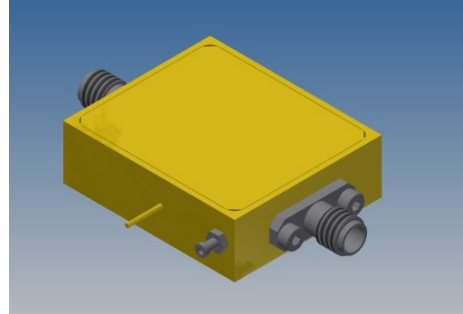


Datasheet
Description

A comprehensive range of MMIC-based amplifiers covering 18-110GHz region are available. The FLNA-28 is a full Ka-band low noise amplifier.

Interfaces can be designed to suit the application as well as custom designs being available,


Features

- Low noise figures
- Full waveguide band
- Single power supplies
- Compact size

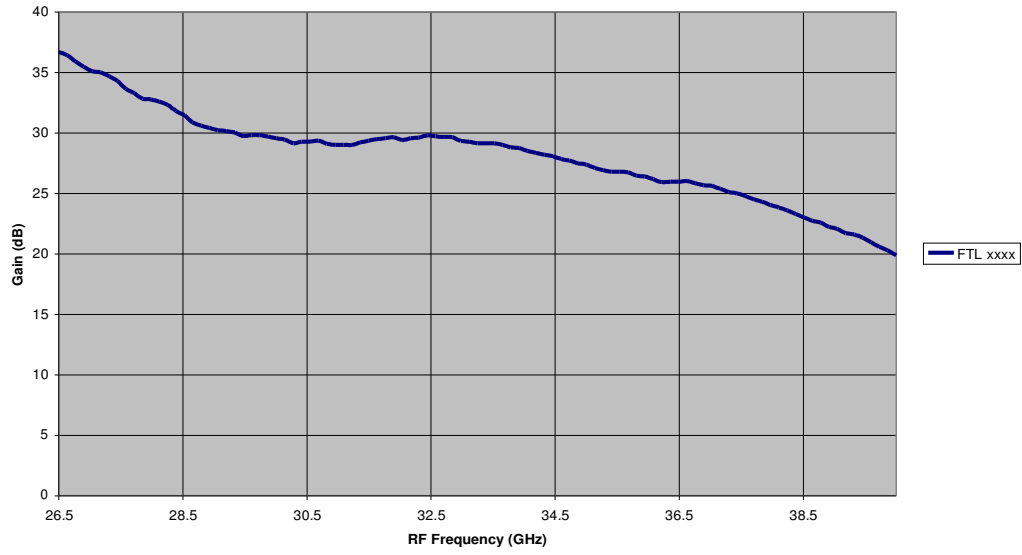
Applications

- Communication receivers
- Radar front ends
- Driver amplifiers
- Point to point communication

Specification	Unit	Min	Typ	Max
Frequency	GHz	26.5		40
Bandwidth	GHz		13.5	
Noise Figure	dB		4	5
Gain	dB		20	
DC Power	V/ma		8/100	
VSWR			2.0:1	

Datasheet

Gain v RF Frequency



Noise Figure v RF Frequency

